



Avensis Wagon

Rear Door Sunblind Set
Installation Instructions

Model year: 2008/11, 2015/05

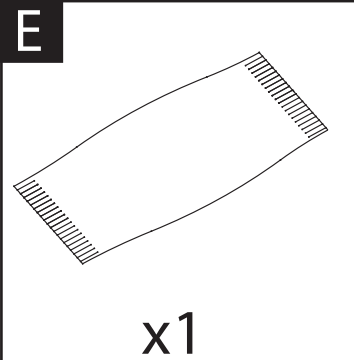
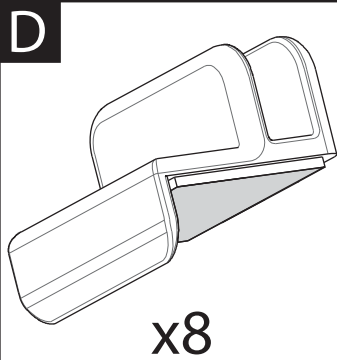
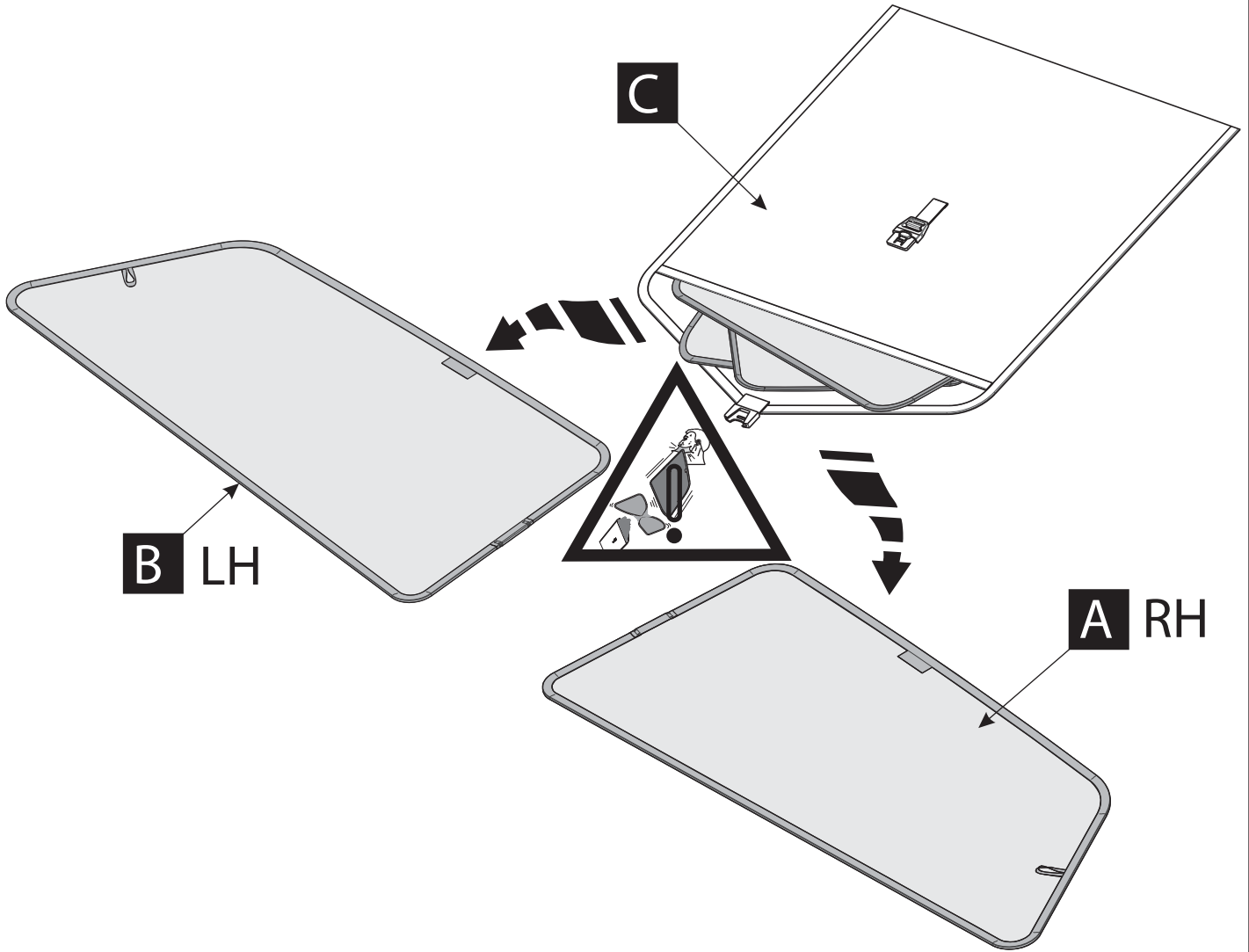
Vehicle code: **T27**-AW***W

Part number Sunblind set: PZ49H-T53A0-RD

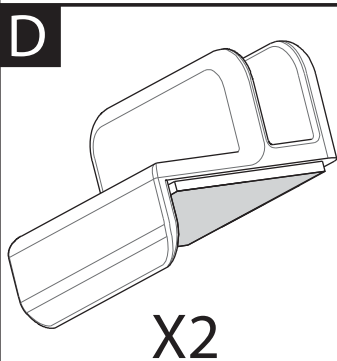
Manual reference number: AIM 001 541-1

Revision Record

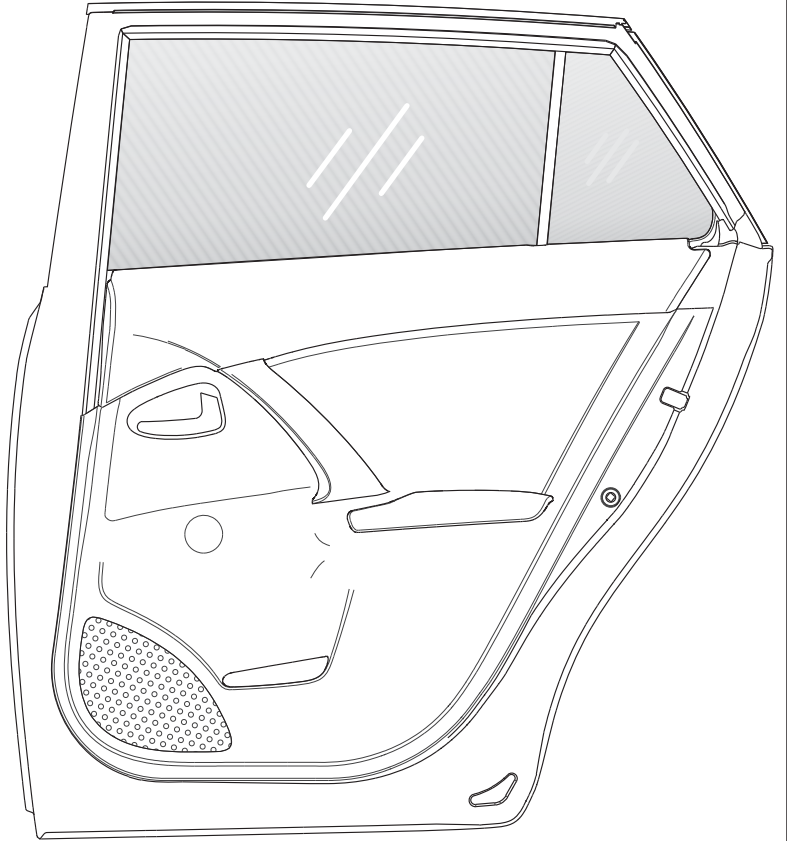
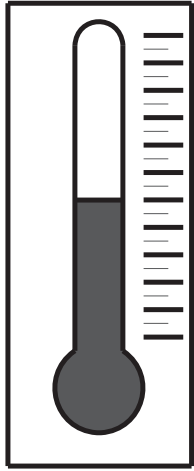
Rev. No	Date	Page	Picture	Update	New	Delete Steps
1	25-01-15	1		Model year		



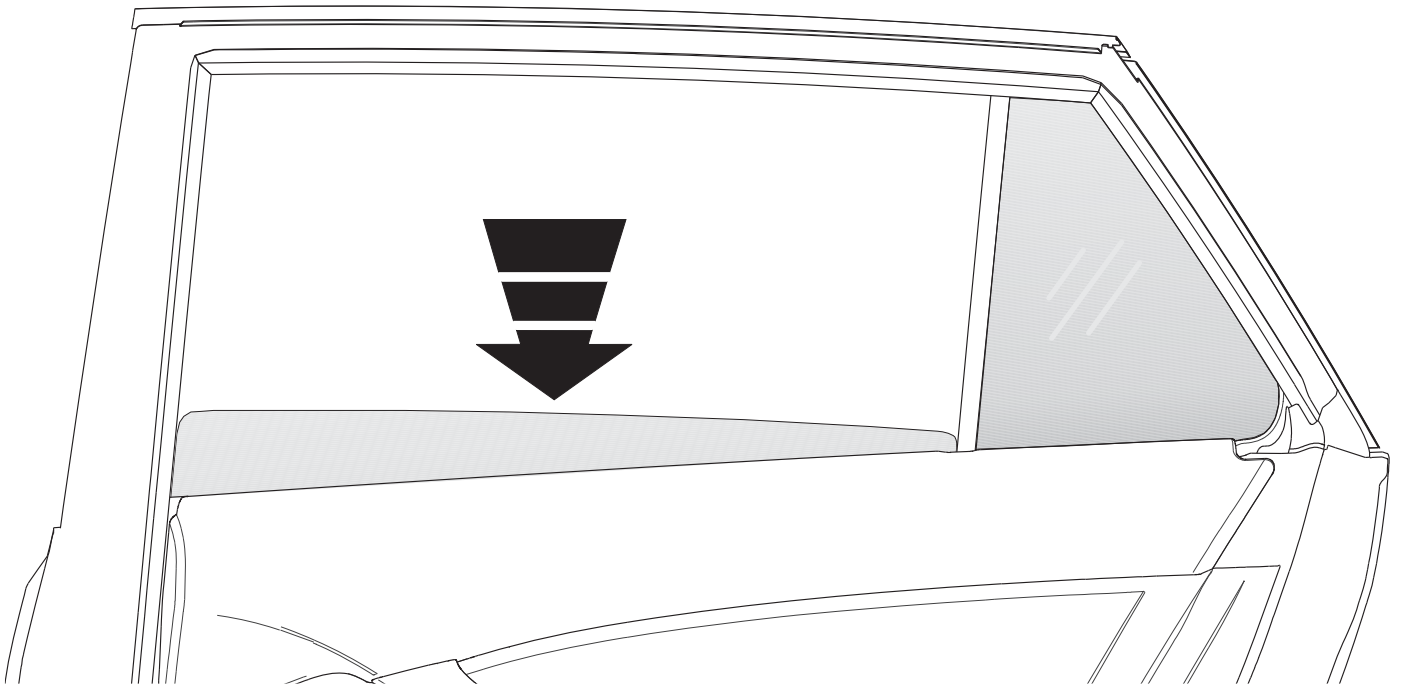
Spare part: PZ49H-003A0-05



15°C

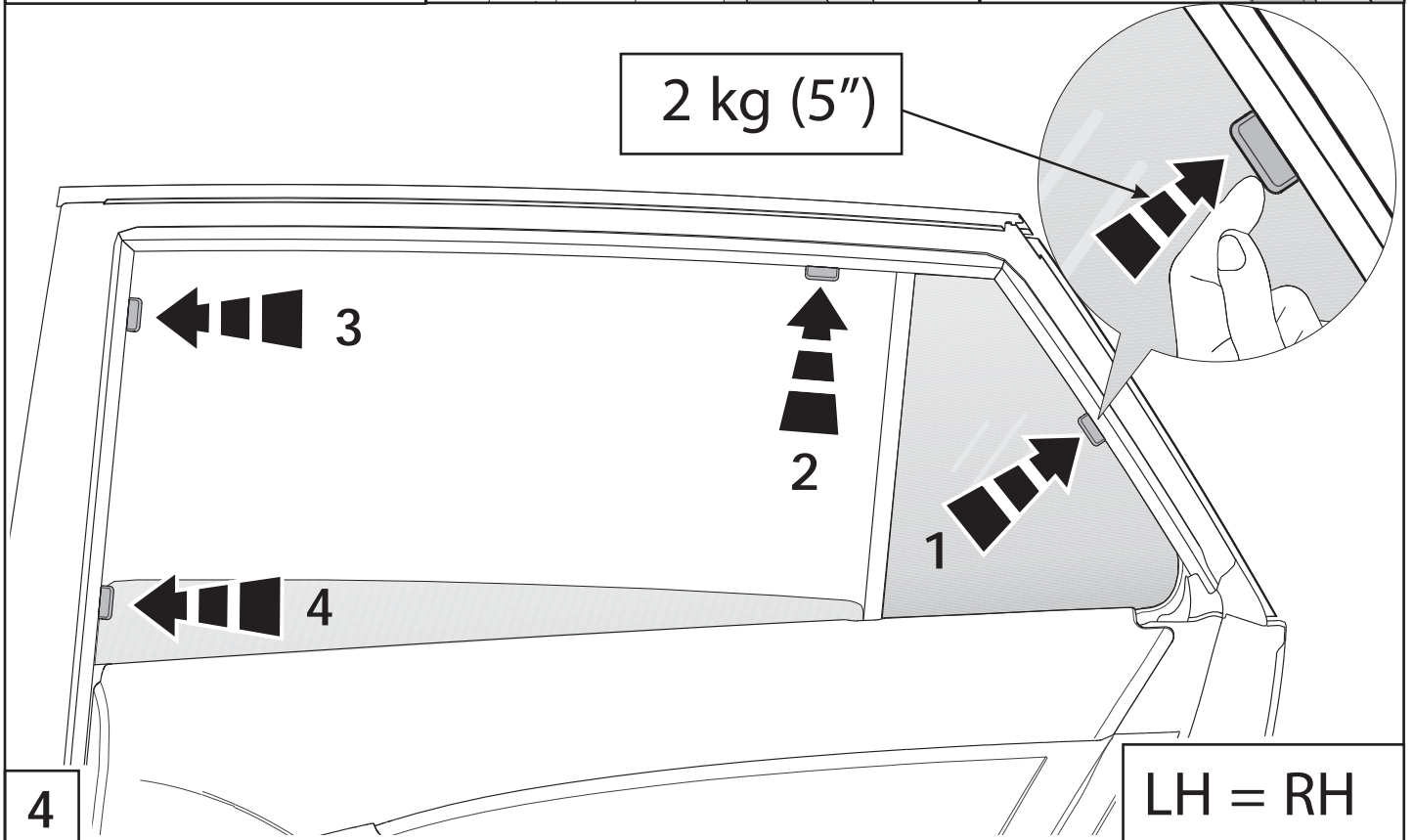
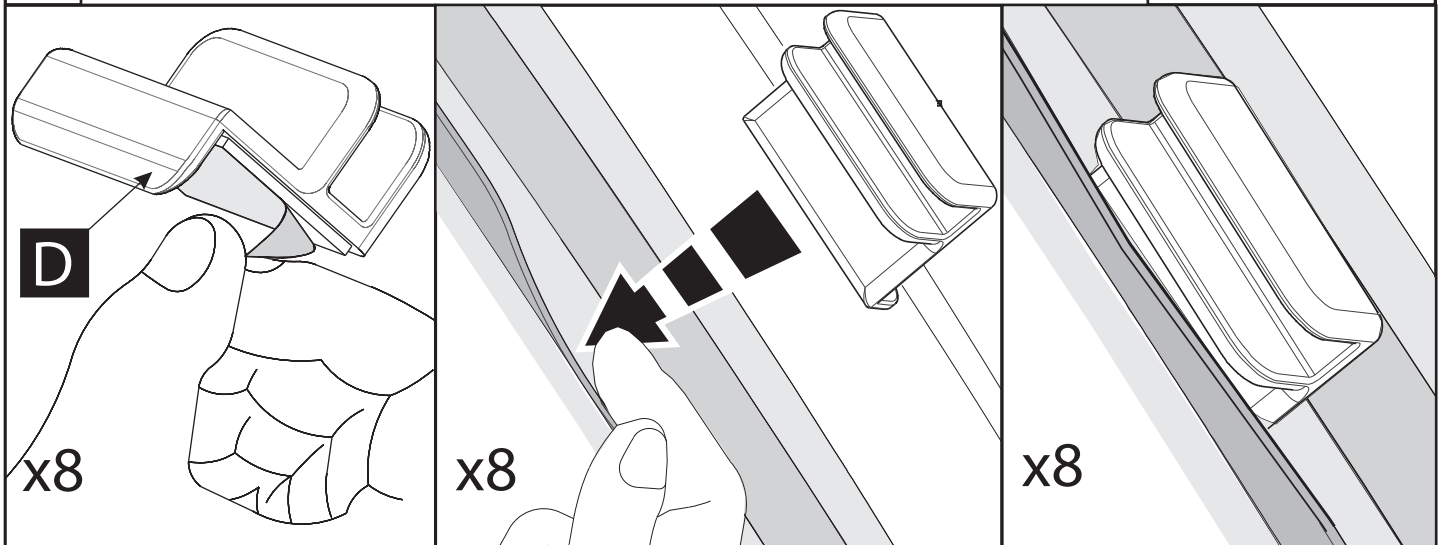
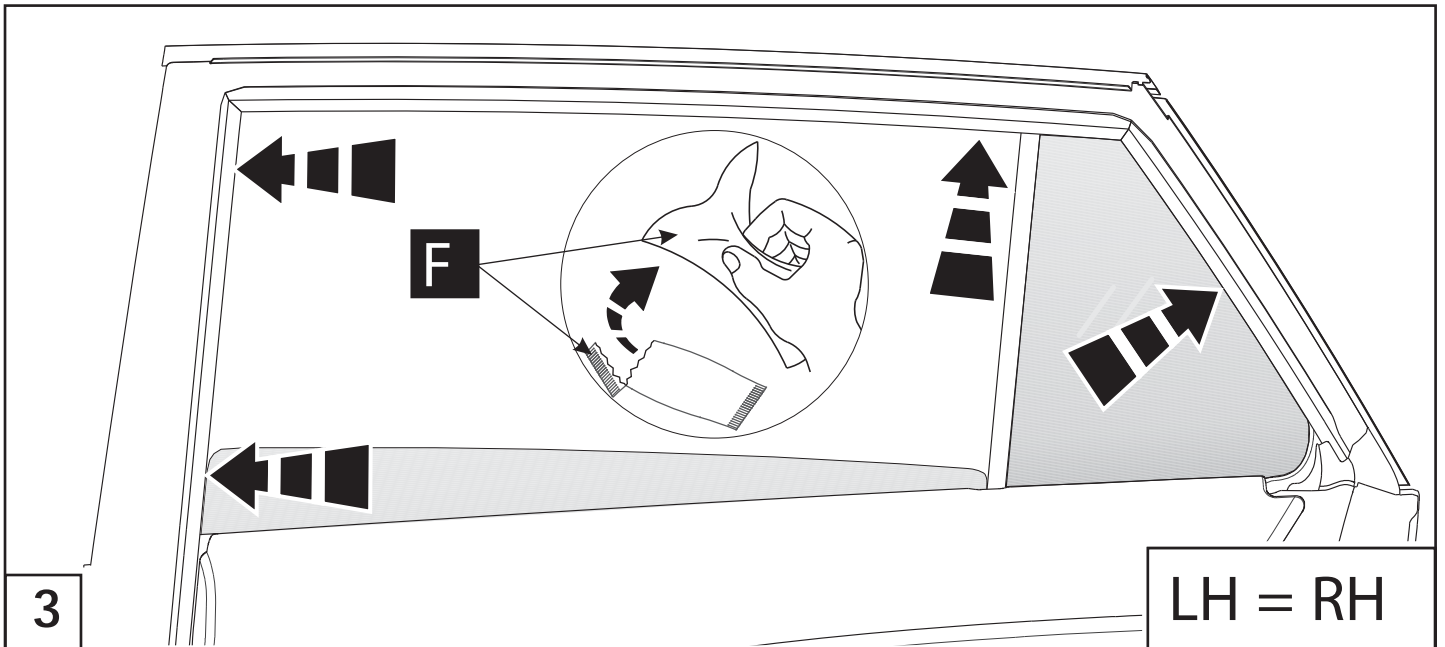


1



2

LH = RH

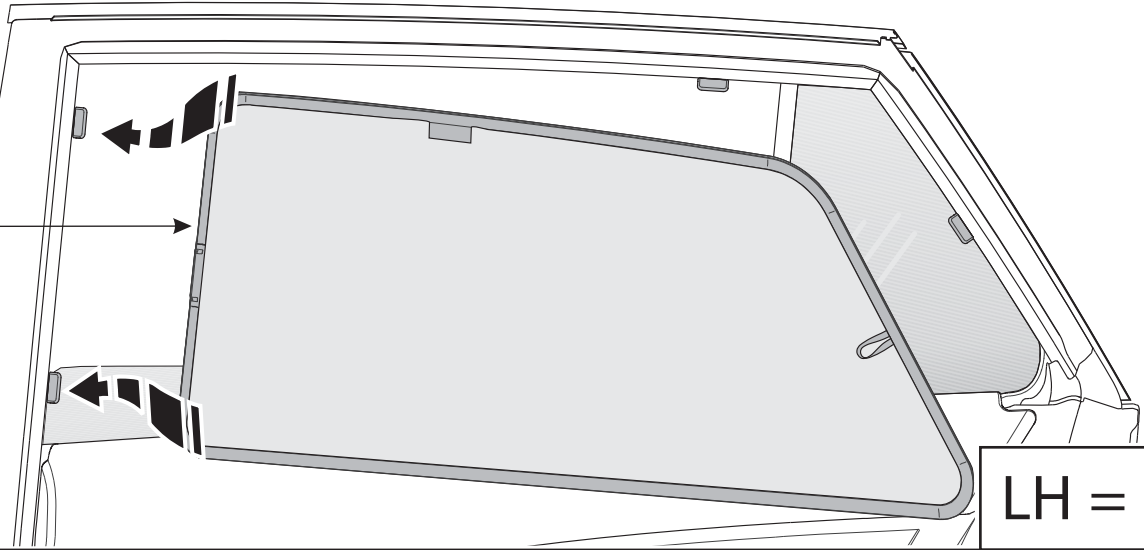




10' min

5

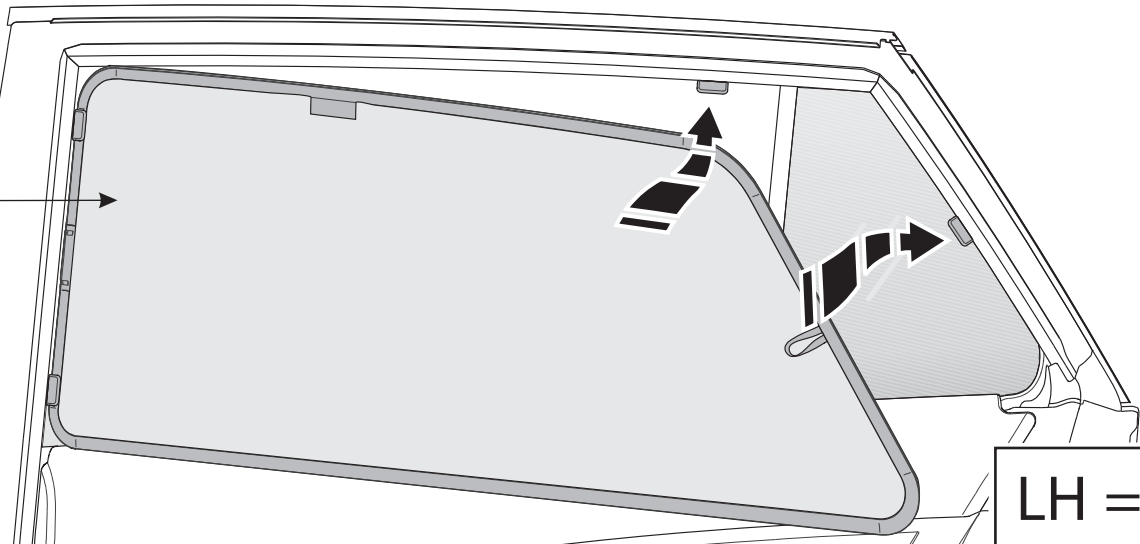
A
+
B



6

LH = RH

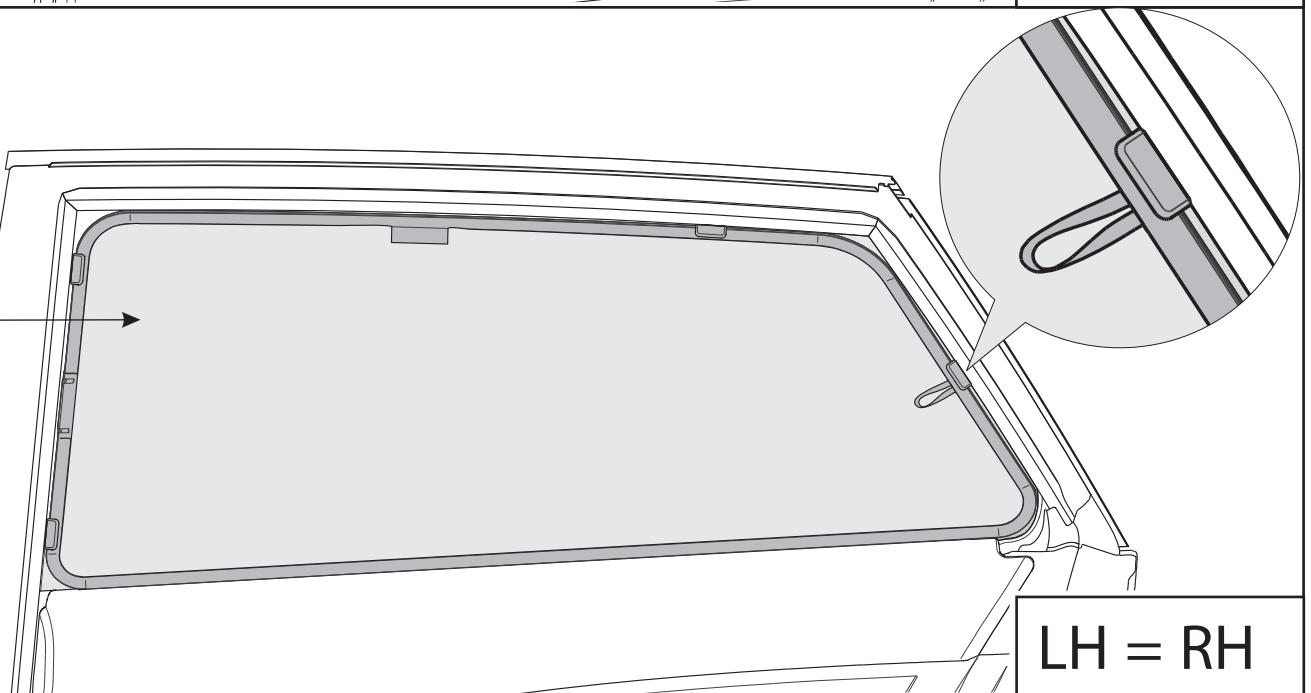
A
+
B



7

LH = RH

A
+
B



8

LH = RH

